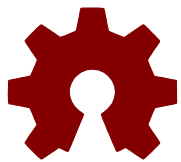
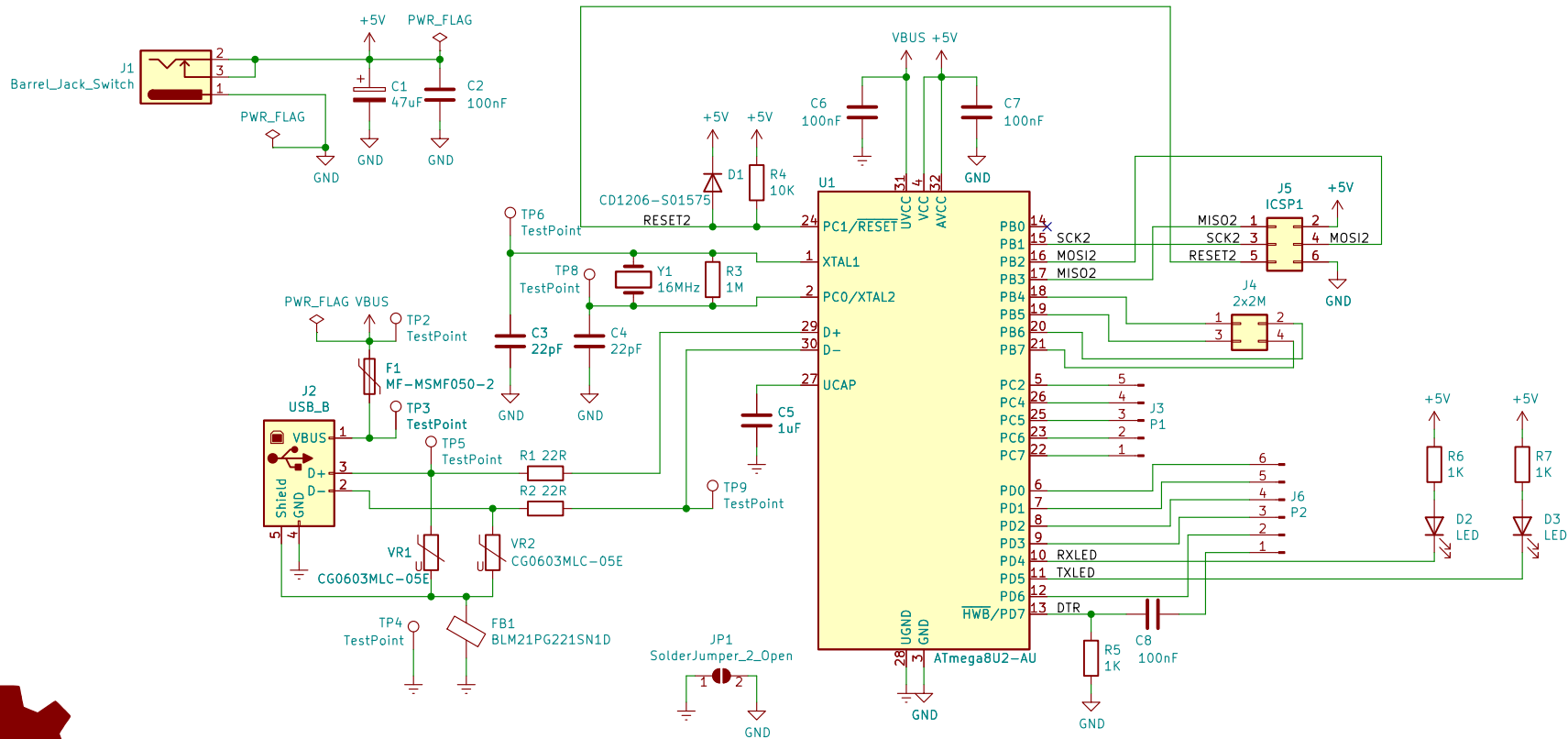


KiBot variants example

Not a real life board

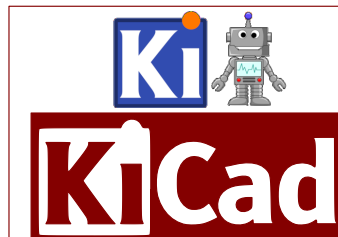


Open source hardware

- H1 MountingHole
- H2 MountingHole
- H3 MountingHole
- H4 MountingHole
- FID1 Fiducial
- FID2 Fiducial
- FID3 Fiducial
- FID4 Fiducial



This logo has a REF starting with #
Won't be passed to the PCB



An example of KiBot variants

Just a copy of the original circuit, but not as ugly
Instituto Nacional de Tecnología Industrial

Sheet: /
File: t1.kicad_sch

Title: Arduino UNO programmer

Size: A4 Date: \${date}

KiCad E.D.A. eeschema 6.0.11+dfsg-1~bpo11+1

Rev: \${git_hash}

Id: 1/1