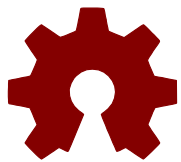
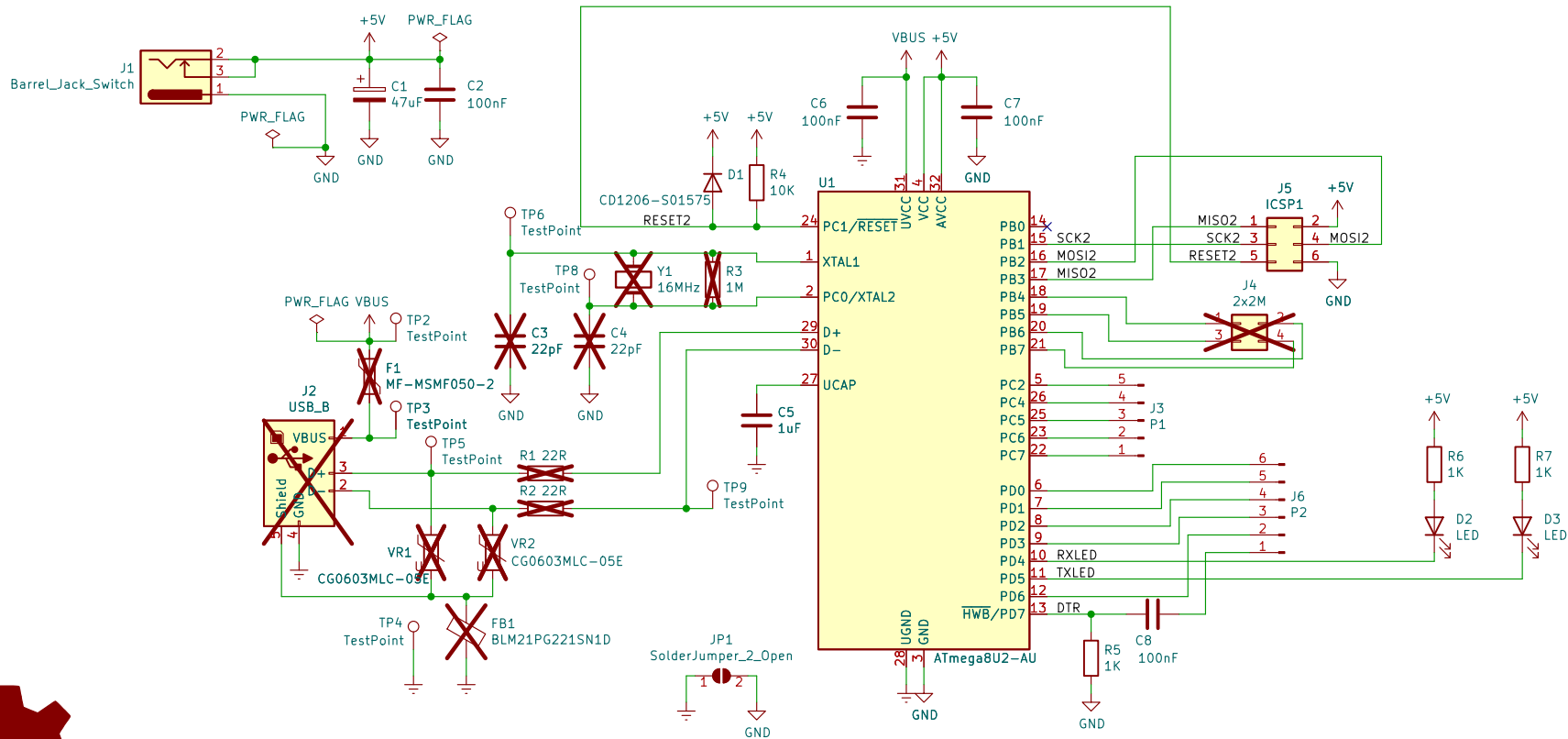


KiBot variants example  
Not a real life board

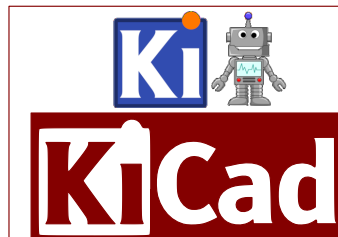


Open source  
hardware

- H1 MountingHole
- H2 MountingHole
- H3 MountingHole
- H4 MountingHole
- FID1 Fiducial
- FID2 Fiducial
- FID3 Fiducial
- FID4 Fiducial



This logo has a REF starting with #  
Won't be passed to the PCB



An example of KiBot variants

Just a copy of the original circuit, but not as ugly  
**Instituto Nacional de Tecnología Industrial**

Sheet: /  
File: t1.kicad\_sch

**Title: Arduino UNO programmer (default variant)**

Size: A4 Date: 2023-04-02T10:06-03:00

KiCad E.D.A. eeschema 6.0.11+dfsg-1-bpo11+1

Rev: **Git:053ea5f**

Id: 1/1