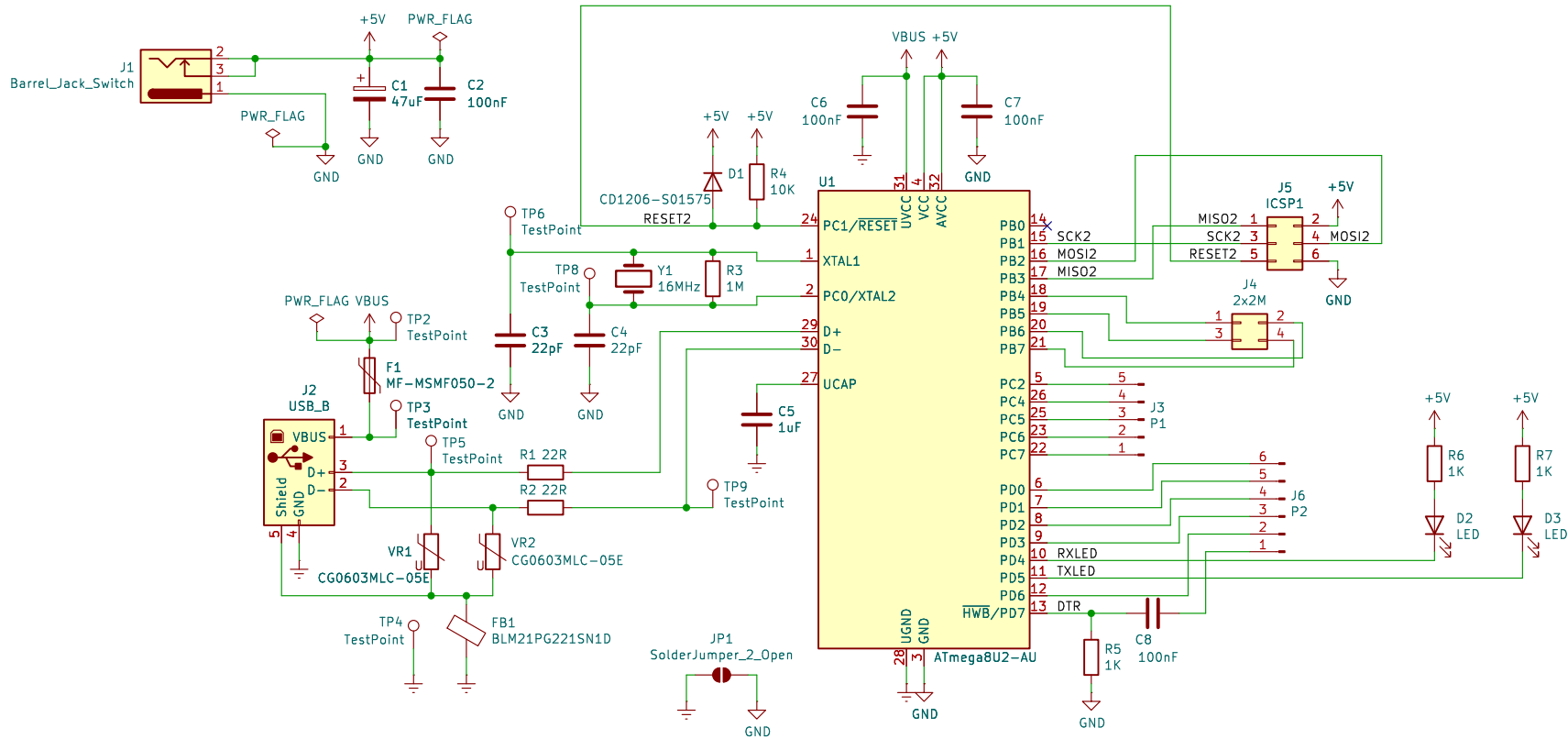
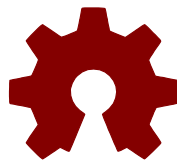


KiBot variants example  
Not a real life board



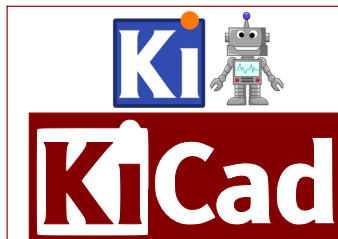
- H1 MountingHole
- H2 MountingHole
- H3 MountingHole
- H4 MountingHole
- FID1 Fiducial
- FID2 Fiducial
- FID3 Fiducial
- FID4 Fiducial



Open source hardware



This logo has a REF starting with #  
Won't be passed to the PCB



An example of KiBot variants

Just a copy of the original circuit, but not as ugly  
**Instituto Nacional de Tecnología Industrial**

Sheet:  
File: t1.kicad\_sch

**Title: Arduino UNO programmer**

Size: A4 Date: Today

KiCad E.D.A. 8.0.1

Rev: WIP

Id: 1/1