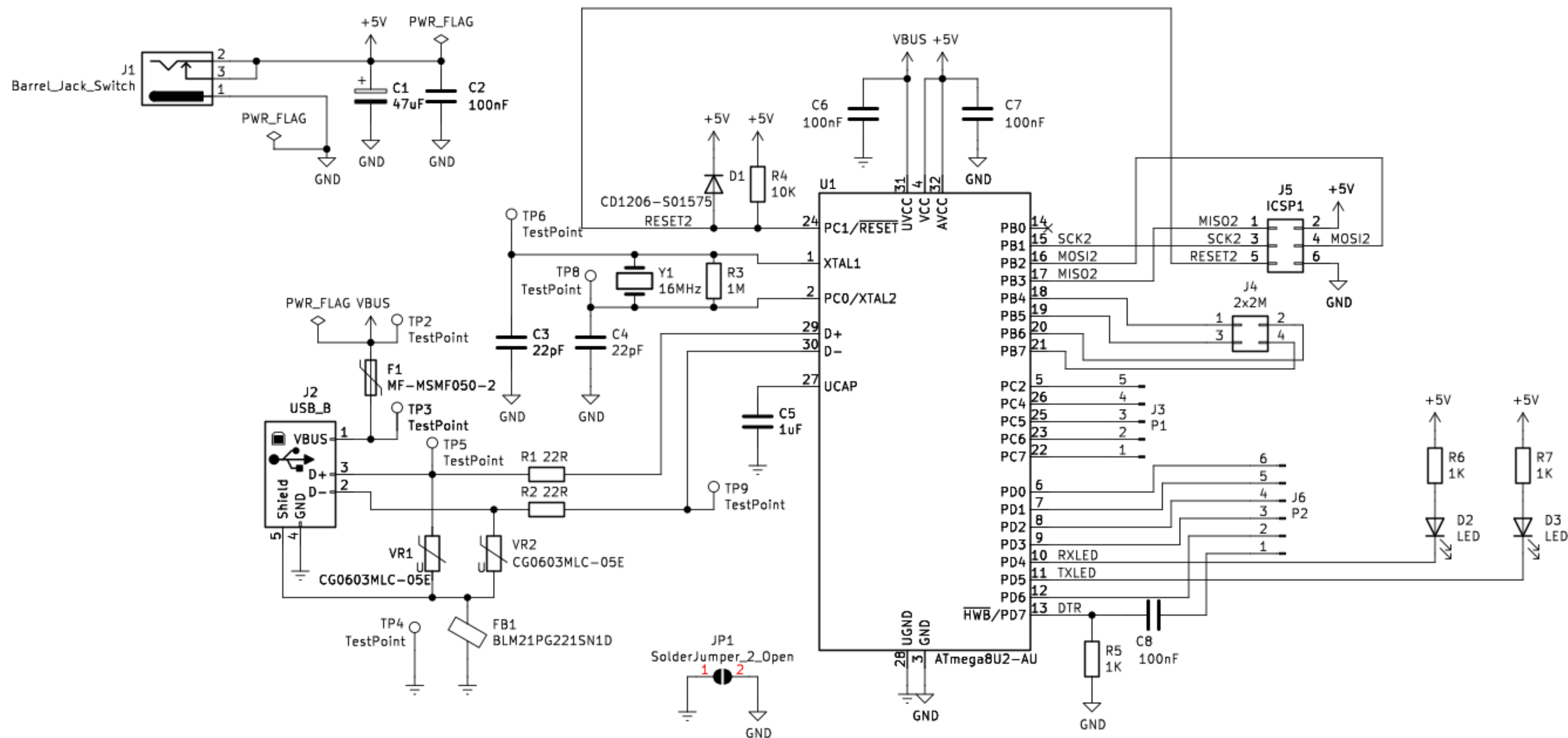


KiBot variants example

Not a real life board



- H1 MountingHole
- H2 MountingHole
- H3 MountingHole
- H4 MountingHole
- FID1 Fiducial
- FID2 Fiducial
- FID3 Fiducial
- FID4 Fiducial



Open source hardware



This logo has a REF starting with #
Won't be passed to the PCB